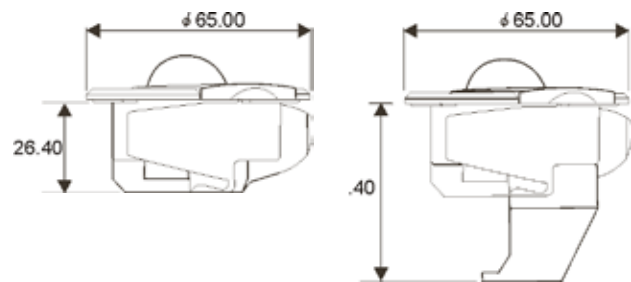


MultiSensor

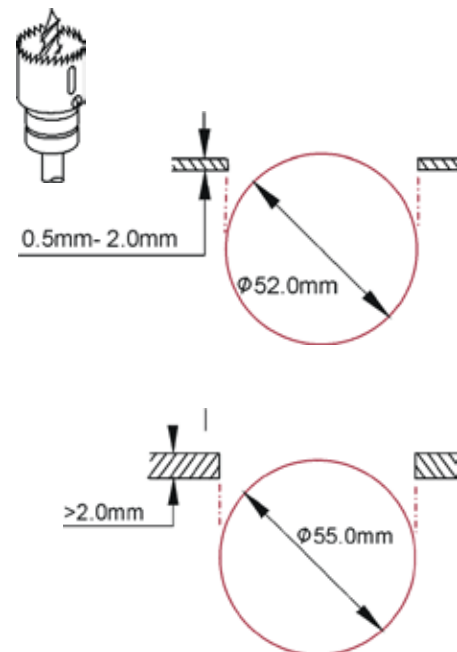
Combined Presence, Daylight & IR Receiver



Dimensions



Installation



The multisensor is a combined PIR detector, constant light and IR receiver, compatible with DALI control systems. It uses only a single DALI address for all functions.

Energy Saving

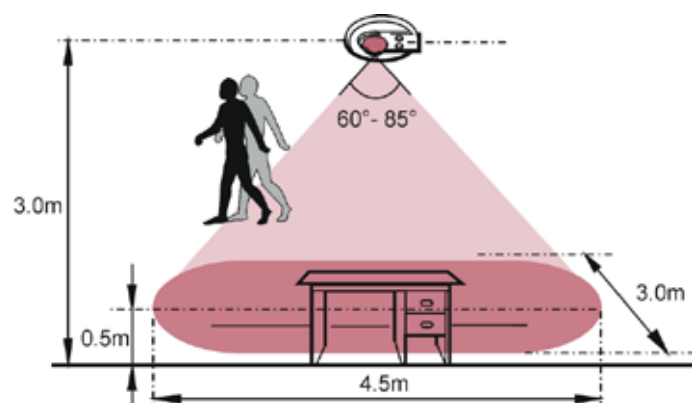
- Presence / Absence Detection
- Dual sensitivity PIR
- Constant (Daylight) regulation

Convenience

- IR Receiver for manual IR Remote (303)
- Simple Installation
- Integral Luminaire installation*

Compatible Systems	
Control ³	Yes
Control ²	Yes
Class Control	Yes
Control ¹	No
Basic Technical Data	
Power Source	Bus Supplied
Power Consumption	15mA
Weight	54g
Interface	DALI (single address)

PIR Coverage



Part Number	Description
MultiSensor	Combined DALI Multisensor
MultiSensor + SPLG	Combined DALI Multisensor + 5m 2 core LSF lead with GST plug

*May not be fitted integrally in all luminaires, please ask for details

RIDI Lighting Ltd., 8 & 9 The Marshgate Centre, Parkway, Harlow Business Park, Harlow, Essex CM19 5QP
 Telephone: 01279 450 882 Fax: 01279 451 169 • e-mail: info@ridi.co.uk • www.ridi.co.uk