

# Recessed sports hall luminaire EBR

## Luminaire series EBR ... T/TGI/ATB/ASB/AT/ATGI/ASTGI/PSB

**Luminaire housing:** Recessed luminaire, white immersion painted steel housing, for fitting with fluorescent lamp T26 / T16.

For wide light distribution, with luminaire types EBR ... T/TGI/AT/PSB top mirror reflectors made of matt anodised aluminium can be retrofitted.

**Mounting:** Prepared for integration in different ceiling systems. Ceiling and pendant mounting using suitable fixing kits. Ball resistant pendant mounting of the 2, 3 and 4-lamp luminaires is only possible with 4-point fixing on two lengths of trunking.

**Note regarding wiring:**

Generally all lamps are wired to L1.

Electronic ballasts: 418 luminaires are operated with a single EVG. In 3-lamp luminaires, one outer and the central lamp are operated via a twin lamp EVG and the second outer lamp via a single lamp EVG. In 4 lamp luminaires, one outer and one central lamp are each operated via a twin EVG. Other wiring arrangements are available on request.

**Note "ball-resistant":**

RIDI recessed luminaires with the sign are produced to the appropriate mechanical and photometric standards demanded for sports hall lighting.

They comply with ball-resistant safety requirements according to DIN 18032, part 3 and are approved by the FMFA in Stuttgart on this basis..

**EBR ... AT/ATGI/ASTGI, IP 20**

AT: Not ball resistant to DIN 18032. Aluminium mirror louvre made of matt anodised super-purity aluminium with profiled, specular anodised cross vanes, but only with tennis ball guard, without top reflector.

ATGI: As above, but aluminium mirror louvre with galvanised wire protection grille for squash halls.

ASTGI: As above, but with asymmetric light distribution.

**EBR ... ATB/ASB, IP 20**

ATB: Ball resistant to DIN 18032. Aluminium mirror louvre made of matt anodised super-purity aluminium with profiled, specular anodised cross vanes.

ASB: As above, but with asymmetric light distribution.

**EBR ... PSB, IP 40**

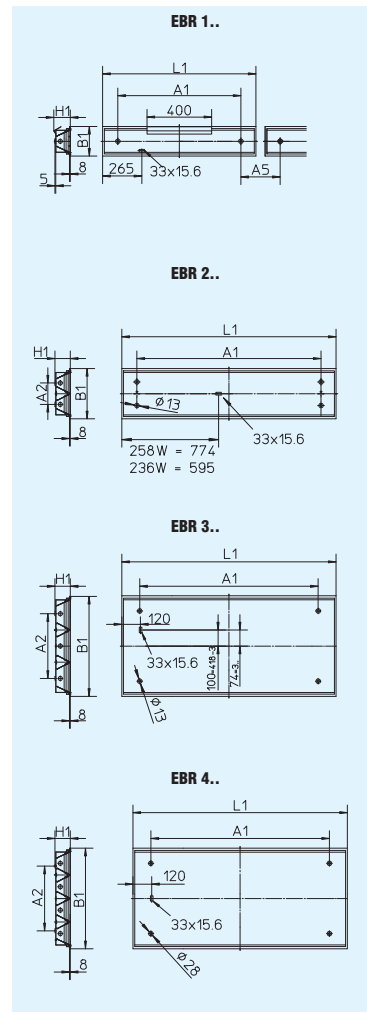
PSB: Ball resistant to DIN 18032. Frame made of aluminium profiles, impact-resistant acrylic prismatic panel

**EBR ... T, IP 20**

Ball resistant to DIN 18032. White steel louvre with patented fastening catches. Reinforced with circular rods, tennis ball guard.

**EBR ... TGI, IP 20**

Not ball resistant to DIN 18032. White steel louvre, with patented fastening catches. With galvanised wire protective grille for use in squash courts.



Voltage: 230V/50Hz

Protection class: IP 20/40

Approvals:



EBR ... AT/ATGI/ASTGI, IP 20

EBR ... ATB/ASB, IP 20

EBR ... PSB, IP 40



EBR ... T, IP 20



EBR ... TGI, IP 20



1 Ceilings with wide area plaster board and mineral fibre boards, wood panelled ceilings  
 2 Ceilings with concealed support rails and symmetric mineral fibre and plaster board  
 3 Sprung metal tile ceilings  
 4 Ceilings with exposed T-bars

5 Ceilings with concealed support rails asymmetric mineral fibre board and sprung metal tiles  
 6 Continuous trim-strip ceilings  
 7 Metal plank ceilings  
 8 Mineral fibre board ceilings for sports hall luminaires  
 9 Metal plank ceilings for sports hall luminaires

Model	Lamps	Dimens. [mm]								magnetic ballast Prod. code	electronic ballast Prod. code	dimm. ballast (DALI) Prod. code
		L1	B1	H1	A1	A2	LE*	BE*	Ceiling type			
EBR 236 ASTGI	2xT26 36 W	1249	312	95	950	132	1229	292	1		1822771	
EBR 236 AT	2xT26 36 W	1249	312	95	950	132	1229	292	1		1820617	
EBR 236 ATGI	2xT26 36 W	1249	312	95	950	132	1229	292	1		1822768	
EBR 258 ASTGI	2xT26 58 W	1549	312	95	1250	132	1529	292	1	8 9	1821504	
EBR 258 AT	2xT26 58 W	1549	312	95	1250	132	1529	292	1	8 9	1820309	1830309
EBR 258 ATGI	2xT26 58 W	1549	312	95	1250	132	1529	292	1	8 9	1821502	1831502
EBR 280 ASTGI	2xT16 80 W	1549	312	95	1250	132	1529	292	1	8 9	1820845	1830845
EBR 280 AT	2xT16 80 W	1549	312	95	1250	132	1529	292	1	8 9	1822579	1832579
EBR 280 ATGI	2xT16 80 W	1549	312	95	1250	132	1529	292	1	8 9	1820844	1830844
EBR 336 ASTGI	3xT26 36 W	1249	485	95	950	298	1229	465	1	8 9	1822772	1832772
EBR 336 AT	3xT26 36 W	1249	485	95	950	298	1229	465	1	8 9	1822767	1832767
EBR 336 ATGI	3xT26 36 W	1249	485	95	950	298	1229	465	1	8 9	1822769	1832769
EBR 358 ASTGI	3xT26 58 W	1549	485	95	1250	298	1529	465	1	8 9	1821505	1831505
EBR 358 AT	3xT26 58 W	1549	485	95	1250	298	1529	465	1	8 9	1820311	1830311
EBR 358 ATGI	3xT26 58 W	1549	485	95	1250	298	1529	465	1	8 9	1821503	1831503
EBR 380 ASTGI	3xT16 80 W	1549	485	95	1250	298	1529	465	1	8 9	1820847	1830847
EBR 380 AT	3xT16 80 W	1549	485	95	1250	298	1529	465	1	8 9	1822580	1832580
EBR 380 ATGI	3xT16 80 W	1549	485	95	1250	298	1529	465	1	8 9	1820846	1830846
EBR 236 ASB	2xT26 36 W	1249	312	95	950	132	1229	292	1	8 9	1820005	1830005
EBR 236 ATB	2xT26 36 W	1249	312	95	950	132	1229	292	1	8 9	1820658	1830658
EBR 258 ASB	2xT26 58 W	1549	312	95	1250	132	1529	292	1	8 9	1820896	1830896
EBR 258 ATB	2xT26 58 W	1549	312	95	1250	132	1529	292	1	8 9	1820892	1830892
EBR 280 ASB	2xT16 80 W	1549	312	95	1250	132	1529	292	1	8 9	1822563	1832563
EBR 280 ATB	2xT16 80 W	1549	312	95	1250	132	1529	292	1	8 9	1822566	1832566
EBR 336 ASB	3xT26 36 W	1249	485	95	950	298	1229	465	1	8 9	1822770	1832770
EBR 336 ATB	3xT26 36 W	1249	485	95	950	298	1229	465	1	8 9	1820556	1830556
EBR 358 ASB	3xT26 58 W	1549	485	95	1250	298	1529	465	1	8 9	1820898	1830898
EBR 358 ATB	3xT26 58 W	1549	485	95	1250	298	1529	465	1	8 9	1820894	1830894
EBR 380 ASB	3xT16 80 W	1549	485	95	1250	298	1529	465	1	8 9	1822564	1832564
EBR 380 ATB	3xT16 80 W	1549	485	95	1250	298	1529	465	1	8 9	1822567	1832567
EBR 136 PSB	1xT26 36 W	1249	185	100	-	-	1229	165	1	8 9	1825880	1835880
EBR 158 PSB	1xT26 58 W	1549	185	100	-	-	1529	165	1	8 9	1825882	1835882
EBR 180 PSB	3xT16 80 W	1549	185	100	-	-	1529	165	1	8 9	1822571	1832571
EBR 236 PSB	2xT26 36 W	1249	312	95	950	132	1229	292	1	8 9	1820884	1830884
EBR 258 PSB	2xT26 58 W	1549	312	95	1250	132	1529	292	1	8 9	1820886	1830886
EBR 280 PSB	2xT16 80 W	1549	312	95	1250	132	1529	292	1	8 9	1822572	1832572
EBR 336 PSB	3xT26 36 W	1249	485	95	950	298	1229	465	1	8 9	1820888	1830888
EBR 358 PSB	3xT26 58 W	1549	485	95	1250	298	1529	465	1	8 9	1820890	1830890
EBR 380 PSB	3xT16 80 W	1549	485	95	1250	298	1529	465	1	8 9	1822573	1832573
EBR 136 T	1xT26 36 W	1249	185	100	-	-	1229	165	1	8 9	1826051	1836051
EBR 158 T	1xT26 58 W	1549	185	100	-	-	1529	165	1	8 9	1826053	1836053
EBR 180 T	1xT16 80 W	1549	185	100	-	-	1529	165	1	8 9	1822568	1832568
EBR 236 T	2xT26 36 W	1249	312	95	950	132	1229	292	1	8 9	1820989	1830989
EBR 258 T	2xT26 58 W	1549	312	95	1250	132	1529	292	1	8 9	1820303	1830303
EBR 280 T	2xT16 80 W	1549	312	95	1250	132	1529	292	1	8 9	1822569	1832569
EBR 336 T	3xT26 36 W	1249	485	95	950	298	1229	465	1	8 9	1820991	1830991
EBR 358 T	3xT26 58 W	1549	485	95	1250	298	1529	465	1	8 9	1820305	1830305
EBR 380 T	3xT16 80 W	1549	485	95	1250	298	1529	465	1	8 9	1822570	1832570
EBR 418 T	4xT26 18 W	624	624	95	400	435	614	604	1 2 3	8 9	1820626	1830626
EBR 436 T	4xT26 36 W	1249	624	95	950	435	1229	604	1	8 9	1821055	1831055
EBR 458 T	4xT26 58 W	1549	624	95	1250	435	1529	604	1	8 9	1820307	1830307
EBR 480 T	4xT16 80 W	1549	624	95	1250	435	1529	604	1	8 9	1823004	1833004
EBR 236 TGI	2xT26 36 W	1249	312	95	950	132	1229	292	1	8 9	1822765	1832765
EBR 258 TGI	2xT26 58 W	1549	312	95	1250	132	1529	292	1	8 9	1821500	1831500
EBR 280 TGI	2xT16 80 W	1549	312	95	1250	132	1529	292	1	8 9	1822576	1832576
EBR 336 TGI	3xT26 36 W	1249	485	95	950	298	1229	465	1	8 9	1822766	1832766
EBR 358 TGI	3xT26 58 W	1549	485	95	1250	298	1529	465	1	8 9	1821501	1831501
EBR 380 TGI	3xT16 80 W	1549	485	95	1250	298	1529	465	1	8 9	1822577	1832577

\* Ceiling cut-out

**Note:** IP40 when mounted in closed ceilings.

## Accessories

Model	Description	Prod. code			
10-013	Universal fixing kit for 23 to 55mm clamping range	0210013			
10-017	Universal fixing kit for 45 to 80mm clamping range	0210017			
10-019	Fixing kit EBR .36, for Wilhelmi sports hall ceilings	0210019			
10-031	Fixing kit EBR .58, for Wilhelmi sport hall ceilings	0210031			
10-934	Suspension plate for EBR 2..	0210934			
10-935	Suspension plate for EBR 3..	0210935			
10-936	Suspension plate for EBR 4..	0210936			
SEBR 136 T	Top reflector retrofit kit for EBR 136 T	1201211			
SEBR 158 T	Top reflector retrofit kit for EBR 158 T	1201212			
SEBR-SABR 236 T	Top mirror reflector for ABR/EBR 236 T/TGI/AT/ATG1, matt	1200449			
SEBR-SABR 258 T	Top mirror reflector for ABR/EBR 258 T/TGI/AT/ATG1, matt	1200450			
SEBR-SABR 336 T	Top mirror reflector for ABR/EBR 336 T/TGI/AT/ATG1, matt	1200451			
SEBR-SABR 358 T	Top mirror reflector for ABR/EBR 358 T/TGI/AT/ATG1, matt	1200452			
SEBR-SABR 436 T	Top mirror reflector for ABR/EBR 436 T/TGI/AT/ATG1, matt	1200454			
SEBR-SABR 458 T	Top mirror reflector for ABR/EBR 458 T/TGI/AT/ATG1, matt	1200455			
SLKG	Chain S-Link, max.20kg, per unit	0200906			
TRA 008	Galvanised chain, max. 20kg , per metre	0200251			
TRA 132 - ABR 2..	Cross bar for ABR 2-lamp, fixing distance 132 + 149mm	0200252			
TRA 298 - ABR 3..	Cross bar for ABR 3-lamp, fixing distance 298mm	0200253			
TRA 435 - ABR 4..	Cross bar for ABR 4-lamp, fixing distance 435mm	0200256			
VLB .36	Dummy cover, L=1235, IP20	0507350			
VLB .58	Dummy cover, L=1535, IP 20	0507351			
VLB-T16 54	Dummy cover, L=1184, IP20, white	0505970			
VLB-T16 80	Dummy cover, L=1484, IP20, white	0505971			