

TUNE-T

TUNE-T

Design: Table luminaire with LED for workplace lighting. 6 LEDs of 1.2 watts (total 7.2 watts). Luminaire head in die-cast metal, gimbal joint for individual adjustment. Luminaire arm in either one or two parts. Electronic driver prefitted in luminaire base. Mains connecting cable 2 metres long complete with plug.

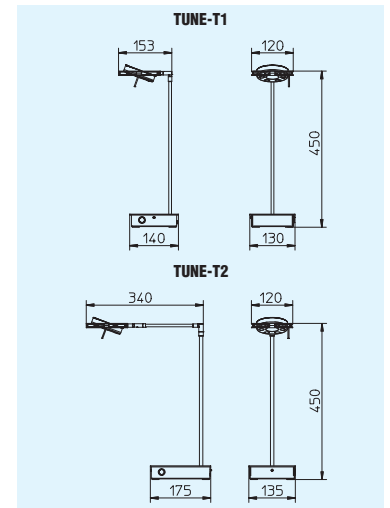
TUNE-T1

Luminaire arm, 1-part

TUNE-T2

Luminaire arm, 2-part

Voltage: 230V/50Hz
Protection class: IP 20
acc. to VDE 0711/0875



TUNE-T1



TUNE-T2



| Model | Lamps | magnetic ballast Prod. code | electronic ballast Prod. code | dim. ballast (DALI) Prod. code |
|----------------|-------------|--------------------------------|----------------------------------|-----------------------------------|
| TUNE-T1 LED SI | 6xLED 1,2 W | | 0420011SI | |
| TUNE-T1 LED | 6xLED 1,2 W | | 0420011 | |
| TUNE-T2 LED SI | 6xLED 1,2 W | | 0420012SI | |
| TUNE-T2 LED | 6xLED 1,2 W | | 0420012 | |

