

LOW CARBON LIGHTING SOLUTION



RIDI

EBD Turbo LED

Sustainable, primary source LED downlighter

www.ridi.co.uk

LED – no longer supplementary lighting

Breakthrough LED technology

Representing a huge step forward for commercial lighting, RIDI has developed a high performance LED downlighter with intercooler and remote phosphor technology.

For the first time, this offers the lighting designer all the benefits of LED technology – its durability, energy efficiency and low maintenance requirement – combined with a level of output that makes the *EBD Turbo* a truly viable LED product for general purpose lighting.

EBD Turbo

- Intensive, dimmable, crisp white light
- Extra long maintenance cycle
- Ideal for halls and open spaces

The sustainable future of commercial lighting

Previously, LED lighting has been confined to the role of secondary or decorative light source provider.

However, *EBD Turbo*, with its integrated cooling system, delivers highly efficient, ultra long-life LED lighting, without sacrificing performance, making LED lighting suitable for large-scale commercial use.

- General purpose LED lighting – highly economical, durable and sustainable
- Office complexes – from corridors to boardrooms
- Retail
- Lobbies and reception areas
- Entertainment and leisure centres



LOW CARBON LIGHTING SOLUTION

Available soon

- Gimbal style fully adjustable downlighter with 150mm diameter reflector
- Compact 150mm fixed downlighter



Product overview

Description

- Recessed downlighter
- Integrated LED and reflector housing
- Remote gear



Reflector Housing

- Rigid die-cast mounting ring
- Tool-less clamping mechanism and fixing brackets
- Integrated security clips for easy reflector removal
- Galvanised steel LED module securing bracket
- Anodised super-purity aluminium reflector in choice of matt or mirror finish
- Decorative outer ring in white polycarbonate with quick-lock bayonet connection

Protection

- General – IP20
- Ceiling – IP40, increasing to IP44 with certain accessories

Mounting

- Standard clips to accommodate ceiling thickness of 0-40mm
- Custom mounting kits and reinforcing plates available for panel and concrete or diagonal/half installations

Control Gear Enclosure

- Remote polycarbonate and galvanized steel enclosure
- Incorporates main LED driver – LED head link cable supplied
- Terminal block for loop in and loop out
- Operating voltage 220-240V, 0/50-60 Hz

EBD *Turbo* – cutting costs and carbon

- 50,000 hour LED life significantly reduces maintenance requirement
- Ideal for those hard to reach areas

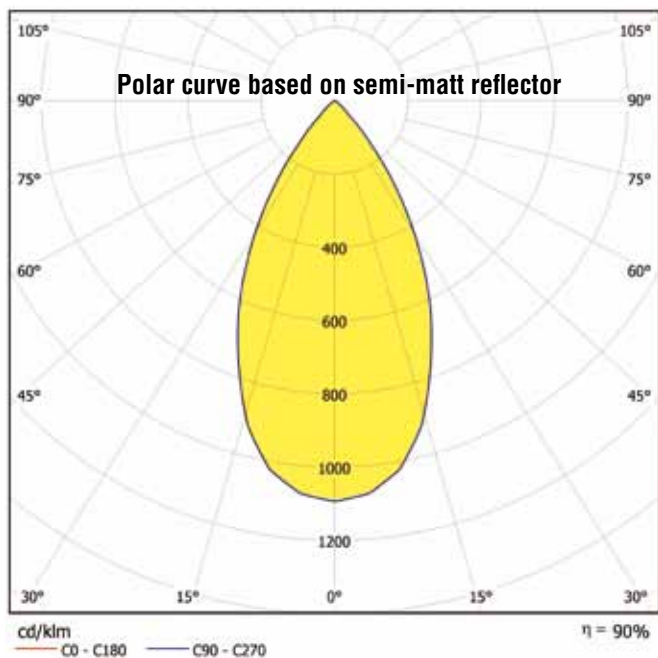


First class performance

Setting the EBD *Turbo* apart, RIDI has incorporated a remote phosphor shield, positioned above the LED module. This not only significantly prolongs the life of the LEDs but ensures a uniform and stable delivery of high quality white light.

Optimum efficiency

From a 32W LED unit, the EBD *Turbo* emits a light output ratio (LOR) of over 90% due to the efficiency of using a directional LED source. With a 50,000 hour lifespan this allows the LED downlighter to outperform compact fluorescent equivalents in both lighting output and maintenance requirement.



Quality of light

On both EBD *Turbo* variants – the passive 1,100 lumen and active DALI compatible 2,000 lumen – a clear, crisp white light is available in cool or warm appearance.

Future ready

When the EBD *Turbo* does finally need replacing, the modular design of the LED unit allows for simple removal and replacement with the latest version – the luminaire body designed to accommodate future LED modules. Adding to its sustainable qualities, EBD also features an all metal construction, in order to further prolong its service life.



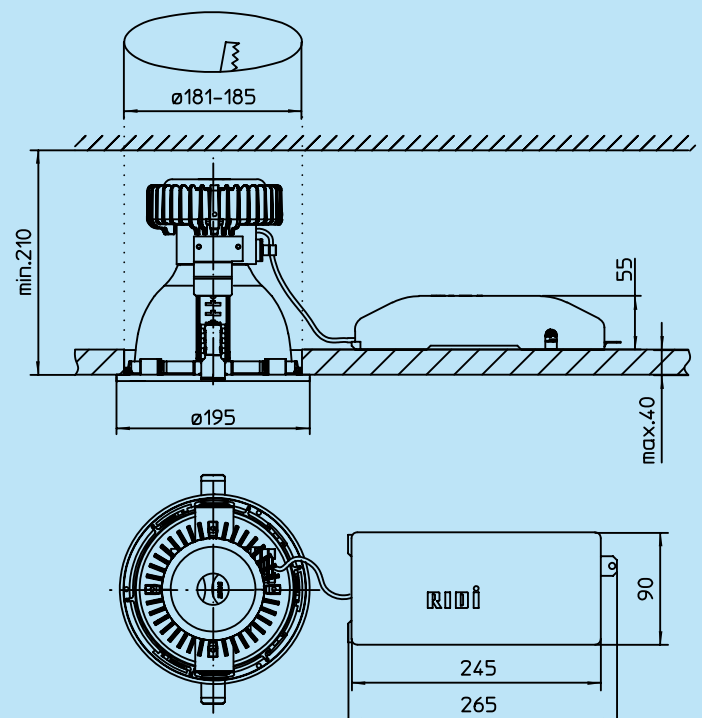
Active cooling and thermal management

The key to EBD *Turbo*'s unique performance level is its inbuilt intercooler – an active heat sink (for 2000 lumen devices) incorporating an electromagnetic diaphragm that pulses to cause subtle air movement and convection cooling (think along the lines of a speaker cone movement).

Correct cooling is crucial to maintaining both light output levels and the longevity of LED light sources. EBD *Turbo* ensures that the LED source is kept at the correct operating temperature, even when confined within a ceiling void with no natural air movement.

Active cooling – unit operates on 12v with a low noise sound pressure of approximately 22dBa.

Dimensions



Technical details and accessories

Part numbers	Ra	Cooling	Lumen output	Colour temp	Electronic gear	Dali dimmable	Emergency adder*
EBDT-LED 195/DLM1100-840-SM	80	Passive	1100	4000k	std	option	EMR3-LED
EBDT-LED 195/DLM1100-830-SM	80	Passive	1100	3000k	std	option	EMR3-LED
EBDT-LED 195/DLM2000-840-SM	80	Active	2000	4000k		std	EMR3-LED
EBDT-LED 195/DLM2000-830-SM	80	Active	2000	3000k		std	EMR3-LED
EBDT-LED 195/DLM1100-840-SG	80	Passive	1100	4000k	std	option	EMR3-LED
EBDT-LED 195/DLM1100-830-SG	80	Passive	1100	3000k	std	option	EMR3-LED
EBDT-LED 195/DLM2000-840-SG	80	Active	2000	4000k		std	EMR3-LED
EBDT-LED 195/DLM2000-830-SG	80	Active	2000	3000k		std	EMR3-LED

■ SG = Specular mirror aluminium, SM = Matt aluminium

* Uses 3w remote LED and indicator

Accessories		
BET EBDT 195	Concrete casting box for EBDT 195	0202835
DG 195 W	Decorative glass, internal matt finish, white dec. ring	0202683
DGB 195 W	Decorative glass, printed, with white decorative ring	0202719
DGD 195 W1)	Glass disc, matt finish, with white decorative ring	0202734
DGFB 195 W	Decorative glass, blue, internally open with white ring	0202710
DGKD 195 W1)	Clear float glass disc with white decorative ring	0202863
DGOD 195 W1)	Glass disc, opal finish, with white decorative ring	0202739
DGS 195 W	Decorative glass, matt finish, internally open w.white ring	0202692
DKV5 195 W1)	Dished artificial opal glass with white decorative ring	0202748
DR 195 AL	Decorative ring, brushed aluminium finish	0202675//634
DR 195 ES	Decorative ring, brushed stainless steel finish	0202675//636
DR 195 RAL	Decorative ring, as per choice from RAL colour chart	0202675RAL
DR 195 SG	Decorative ring, specular finish aluminium, silver	0202675//609
DR 195 SM	Decorative ring, matt finish aluminium, silver	0202675//607
DR 195 W	Decorative ring, white plastic	0202675
DSG 195 W	Decorative glass ring, matt finish, white decorative ring	0202701
DVHW 195 W NR 1-243)	Information signs No.1 to 24 with white decorative ring	0202802
DVRP 195 W1)	Prismatic disc with white decorative ring	0202744
DVW3 195 W	Decorative trim, 3 metal discs, white decorative ring	0202727
DVZS 195 W2)	Decorative trim, inset acrylic panel, white ring	0202778
EPR EBD. 195	Plaster ring for EBD 195	0202838
HES EBD 195/25	Semi-recessed mounting kit, H = 25mm	0202808
HES EBD 195/50	Semi-recessed mounting kit, H = 50mm	0202809
HES EBD 195/75	Semi-recessed mounting kit, H = 75mm	0202810
PES EBD. 195-100/150	Plank ceiling mounting kit for module 100 and 150 ceilings	0202784
PES EBD. 195-100/200	Plank ceiling mounting kit for module 100 and 200 ceilings	0202785
REBDK 195 S	Parabolic cross blade louvre, specular aluminium, silver	0202662
REBDT 195 S	Parabolic louvre c/w inner ring, specular aluminium, silver	0202658
SES EBD 195/10	Inclined ceiling mounting kit, 10 degree slope	0202819
SES EBD 195/15	Inclined ceiling mounting kit, 15 degree slope	0202820
UGEBD-UR	Change-over relay for EBD	0201069
VP EBD. 195-600	Strengthening plate for module 600 (600x600) ceilings	0202793
VP EBD. 195-625	Strengthening plate for module 625 (625x625) ceilings	0202920
ZES EBD 150-235/80	Fixing kit for ceiling depths up to 80 mm	0202928



RIDI EBD*Turbo*

The energy-saving LED for everyday lighting

- Sustainable lifecycle
- Reduced maintenance
- 5 year warranty

Key features:

- Spun aluminium reflector with steel body
- Cast aluminium frame
- Quick-lock bayonet for customisation of bezel trim with large range of accessories
- High light output
- Remote phosphor technology to prolong life and add to colour stability
- Active or passive heat sink
- Integrated overheat sensing and regulation
- Industry standard DALI interface
- No downward UV or heat emission



www.ridi.co.uk/ebdturbo

RIDI

RIDI Lighting Ltd., 8 & 9 The Marshgate Centre, Parkway, Harlow Business Park, Harlow, Essex CM19 5QP
Telephone: 01279 450 882 Fax: 01279 451 169 • e-mail info@ridi.co.uk • www.ridi.co.uk

© RIDI Lighting Ltd 2009

This brochure has been compiled with due care. Subject to printing and other errors. We reserve the right to make any formal or technical changes.