

# F-LINE for T16 lamps

## F-LINE 1../ 2..

**Design:** Single luminaire designed for pendant mounting with low-profile luminaire housing. Housing with seamless underside, in edged sheet steel, white or silver colour powder coated. Top of housing with fixing points spaced at 35 mm for variable wire pendant luminaire mounting.

With electronic multiwatt electronic ballast EVG (MW-EVG) 220-240 V, 50-60 Hz.

**Mounting:** The luminaires are suitable for ceiling pendant mounting using wire suspensions or with accessories for direct ceiling mounting.

Wire pendant mounting F-LINE 1.. with ZSPT2Z 190, F-LINE 2.. with ZSPT2Z 295, and F-LINE 3../4.. with ZSP..

### F-LINE ... AS

Asymmetrical reflector AS made of high-reflectance matt, super-purity anodised aluminium

### F-LINE ... O

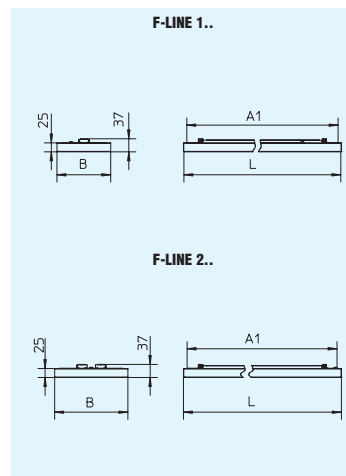
Opal profile cover made of UV-resistant acrylic (PMMA) with satinised surface.

### F-LINE 1.. SG

Parabolic SG mirror louvre constructed of high-reflectance specular, super purity anodised aluminium.

### F-LINE 1.. SM

Parabolic SM mirror louvre constructed of matt, super-purity anodised aluminium.



Voltage: 230V/50Hz  
Protection class: IP 20  
acc. to VDE 0711/0875



### F-LINE ... AS



### F-LINE ... O



### F-LINE ... SG



### F-LINE ... SM



Model	Lamps	Dimens. [mm]				magnetic ballast Prod. code	electronic ballast Prod. code	dimm. ballast (DALI) Prod. code
		L	A1 max	A1 min	B			
N F-LINE 128/54 AS	1xT16 28/54 W	1253	1190	840	150		0626800	0636800
N F-LINE 128/54 AS-SI	1xT16 28/54 W	1253	1190	840	150		0626800SI	0636800SI
N F-LINE 135/49/80 AS	1xT16 35/49/80 W	1553	1490	1140	150		0626801	0636801
N F-LINE 135/49/80 AS-SI	1xT16 35/49/80 W	1553	1490	1140	150		0626801SI	0636801SI
F-LINE 128/54 O	1xT16 28/54 W	1253	1190	840	150		0626751	0636751
F-LINE 128/54 O-SI	1xT16 28/54 W	1253	1190	840	150		0626751SI	0636751SI
F-LINE 135/49/80 O	1xT16 35/49/80 W	1553	1490	1140	150		0626752	0636752
F-LINE 135/49/80 O-SI	1xT16 35/49/80 W	1553	1490	1140	150		0626752SI	0636752SI
F-LINE 128/54 SG	1xT16 28/54 W	1253	1190	840	150		0626729	0636729
F-LINE 128/54 SG-SI	1xT16 28/54 W	1253	1190	840	150		0626729SI	0636729SI
F-LINE 135/49/80 SG	1xT16 35/49/80 W	1553	1490	1140	150		0626730	0636730
F-LINE 135/49/80 SG-SI	1xT16 35/49/80 W	1553	1490	1140	150		0626730SI	0636730SI
F-LINE 228/54 SG	2xT16 28/54 W	1253	1190	840	204		0626737	0636737
F-LINE 228/54 SG-SI	2xT16 28/54 W	1253	1190	840	204		0626737SI	0636737SI
F-LINE 235/49 SG	2xT16 35/49 W	1553	1490	1140	204		0626739	0636739
F-LINE 235/49 SG-SI	2xT16 35/49 W	1553	1490	1140	204		0626739SI	0636739SI
F-LINE 128/54 SM	1xT16 28/54 W	1253	1190	840	150		0626727	0636727
F-LINE 128/54 SM-SI	1xT16 28/54 W	1253	1190	840	150		0626727SI	0636727SI
F-LINE 135/49/80 SM	1xT16 35/49/80 W	1553	1490	1140	150		0626728	0636728
F-LINE 135/49/80 SM-SI	1xT16 35/49/80 W	1553	1490	1140	150		0626728SI	0636728SI
F-LINE 228/54 SM	2xT16 28/54 W	1253	1190	840	204		0626738	0636738
F-LINE 228/54 SM-SI	2xT16 28/54 W	1253	1190	840	204		0626738SI	0636738SI
F-LINE 235/49 SM	2xT16 35/49 W	1553	1490	1140	204		0626740	0636740
F-LINE 235/49 SM-SI	2xT16 35/49 W	1553	1490	1140	204		0626740SI	0636740SI

Accessories

Model	Description	Prod. code
F-LINE-A 128 SI	F-LINE 128 cover for ceiling mounting, silver, 0% ind comp	0207956SI
F-LINE-A 128	F-LINE 128 cover for ceiling mounting, white, 0% ind comp	0207956
F-LINE-A 135 SI	F-LINE 135 cover for ceiling mounting, silver, 0% ind comp	0207957SI
F-LINE-A 135	F-LINE 135 cover for ceiling mounting, white, 0% ind comp	0207957
F-LINE-A 228 SI	F-LINE 228 cover for ceiling mounting, silver, 0% ind comp	0207958SI
F-LINE-A 228	F-LINE 228 cover for ceiling mounting, white, 0% ind comp	0207958
F-LINE-A 235 SI	F-LINE 235 cover for ceiling mounting, silver, 0% ind comp	0207959SI
F-LINE-A 235	F-LINE 235 cover for ceiling mounting, white, 0% ind comp	0207959
F-LINE-A20 128 SI	F-LINE 128 cover for ceiling mounting, silver, 20% ind comp	0207961SI
F-LINE-A20 128	F-LINE 128 cover for ceiling mounting, white, 20% ind comp	0207961
F-LINE-A20 135 SI	F-LINE 135 cover for ceiling mounting, silver, 20% ind comp	0207962SI
F-LINE-A20 135	F-LINE 135 cover for ceiling mounting, white, 20% ind comp	0207962
F-LINE-A20 228 SI	F-LINE 228 cover for ceiling mounting, silver, 20% ind comp	0207963SI
F-LINE-A20 228	F-LINE 228 cover for ceiling mounting, white, 20% ind comp	0207963
F-LINE-A20 235 SI	F-LINE 235 cover for ceiling mounting, silver, 20% ind comp	0207964SI
F-LINE-A20 235	F-LINE 235 cover for ceiling mounting, white, 20% ind comp	0207964
F-LINE-AS 128 SI	Cover F-LINE 128 with clear diffuser, silver	0207966SI
F-LINE-AS 128	Cover F-LINE 128 with clear diffuser	0207966
F-LINE-AS 135 SI	Cover F-LINE 135 with clear diffuser, silver	0207967SI
F-LINE-AS 135	Cover F-LINE 135 with clear diffuser	0207967
F-LINE-AS 228 SI	Cover F-LINE 228 with clear diffuser, silver	0207968SI
F-LINE-AS 228	Cover F-LINE 228 with clear diffuser	0207968
F-LINE-AS 235 SI	Cover F-LINE 235 with clear diffuser, silver	0207969SI
F-LINE-AS 235	Cover F-LINE 235 with clear diffuser	0207969
F-LINE-VS	Luminaire coupler for F-LINE luminaire, white, 1 pc	0207971
F-LINE-VS-D	Straight luminaire coupler for ceiling surface mounting	0208095
F-LINE-VS-D-SI	Straight coupler for ceiling mounting, silver	0208095SI
F-LINE-VS-SI	Luminaire coupler for F-LINE luminaire, silver, 1 pc	0207971SI
F-LINE-VSK	4-way coupler for F-LINE luminaire, white, 1 pc	0207974
F-LINE-VSK-SI	4-way coupler for F-LINE luminaire, silver, 1 pc	0207974SI
F-LINE-VSL	L-shaped coupler for F-LINE luminaire, white, 1 pc	0207972
F-LINE-VSL-SI	L-shaped coupler for F-LINE luminaire, silver, 1 pc	0207972SI
F-LINE-VST	T-shaped coupler for F-LINE luminaire, white, 1 pc	0207973
F-LINE-VST-SI	T-shaped coupler for F-LINE luminaire, silver, 1 pc	0207973SI
ZAL 3x0,75/1,5M-T	Clear mains cable, 3x0.75mm <sup>2</sup> , 1.5 metre	0203579
ZAL 3X1,5/1,5M-T	Clear mains cable, 3x1.5mm <sup>2</sup> , 1.5 metre	0207977
ZAL 5x0,75/1,5M-T	Clear mains cable, 5x0.75mm <sup>2</sup> , 1.5 metre	0203580
ZAL 5X1,5/1,5M-T	Clear mains cable, 5x1.5mm <sup>2</sup> , 1.5 metre	0207978
ZDBE	Rectangular cover, white, for 'Y' wire pendant ZUSP&UKNS	0204332
ZDBE-SI	Rectangular cover, silver, for 'Y' wire pendant ZUSP&UKNS	0204332SI
ZKF 3X0,75 - 1.0M	Cable guide C-profile, for dia. 4-5mm, 1 metre, transparent	0207979
ZSPT22 190 <sup>1)</sup>	'Y' wire suspension kit with ceiling fixture, cyl.1.5m, 1 pc	0203587
ZSPT22 295 <sup>1)</sup>	'Y' wire suspension kit, 1.5m drop, 1 pc	0203583
ZSPT22E 190 SI <sup>1)</sup>	'Y' wire suspension kit, rect. cover, silver, 1.5m, 1 pc	0207976SI
ZSPT22E 190 <sup>1)</sup>	'Y' wire suspension kit, rectangular cover, white, 1.5m, 1 pc	0207976
ZSPT22E 295 SI <sup>1)</sup>	'Y' wire suspension kit, rect. cover, silver, 1.5m, 1 pc	0202897SI
ZSPT22E 295 <sup>1)</sup>	'Y' wire suspension kit, rect. cover, white, 1.5m, 1 pc	0202897
ZSPT22H 190 SI <sup>1)</sup>	'Y' wire suspension kit, domed cover, silver, 1.5m, 1 pc	0207975SI
ZSPT22H 190 <sup>1)</sup>	'Y' wire suspension kit, domed cover, white, 1.5m, 1 pc	0207975
ZSPT22H 295 SI <sup>1)</sup>	'Y' wire suspension kit, domed cover, silver, 1.5m, 1 pc	0202896SI
ZSPT22H 295 <sup>1)</sup>	'Y' wire suspension kit, domed cover, white, 1.5m, 1 pc	0202896



<sup>1)</sup> Wire pendant mounting: F-LINE single lamp with ZSPT22. 190, dual-lamp with ZSPT22. 295, 2 per luminaire



# F-LINE for T16 lamps

## F-LINE 2X1../3...

**Design:** Single luminaire designed for pendant mounting with low-profile luminaire housing. Housing with seamless underside, in edged sheet steel, white or silver colour powder coated. Top of housing with fixing points spaced at 35 mm for variable wire pendant luminaire mounting.

F-LINE 2X1.. with 2 separate light chambers separated by a longitudinal web in the luminaire housing

F-LINE 3.. with 1 lamp for direct light component and 2 lamps for indirect light component.

Perforated luminaire housing on both sides next to the direct light component, lined with a light filter and backlit.

With electronic multiwatt ballast (MW-EVG) 220-240 V, 0/50-60 Hz.

**Mounting:** The luminaires are suitable for pendant mounting with wire pendant. F-LINE 2X1.. is also suitable for direct ceiling mounting using an accessory.

### F-LINE ... AS

Asymmetrical reflector AS made of high-reflectance matt, super-purity anodised aluminium

### F-LINE ... O

Opal profile cover made of UV-resistant acrylic (PMMA) with satinised surface.

### F-LINE ... SG

Parabolic mirror louvre SG made of high-reflectance, specular super-purity anodised aluminium

### F-LINE ... SM

Parabolic mirror louvre SM made of silk matt, super-purity anodised aluminium

Voltage: 230V/50Hz  
Protection class: IP 20  
acc. to VDE 0711/0875



F-LINE ... AS



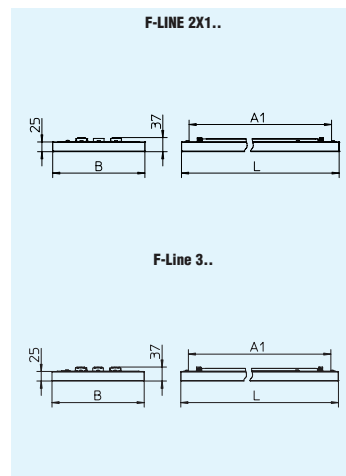
F-LINE ... O



F-LINE ... SG



F-LINE ... SM



Model	Lamps	Dimens. [mm]				magnetic ballast Prod. code	electronic ballast Prod. code	dimm. ballast (DALI) Prod. code
		L	A1 max	A1 min	B			
N F-LINE 328/54 AS	3xT16 28/54 W	1253	1190	840	260		0626805	0636805
N F-LINE 328/54 AS-SI	3xT16 28/54 W	1253	1190	840	260		0626805SI	0636805SI
N F-LINE 335/49 AS	3xT16 35/49 W	1553	1490	1140	260		0626809	0636809
N F-LINE 335/49 AS-SI	3xT16 35/49 W	1553	1490	1140	260		0626809SI	0636809SI
N F-LINE 2X128/54 O	2xT16 28/54 W	1253	1190	840	260		0626812	0636812
N F-LINE 2X128/54 O-SI	2xT16 28/54 W	1253	1190	840	260		0626812SI	0636812SI
N F-LINE 2X135/49 O	2xT16 35/49 W	1553	1490	1140	260		0626815	0636815
N F-LINE 2X135/49 O-SI	2xT16 35/49 W	1553	1490	1140	260		0626815SI	0636815SI
N F-LINE 328/54 O	3xT16 28/54 W	1253	1190	840	260		0626804	0636804
N F-LINE 328/54 O-SI	3xT16 28/54 W	1253	1190	840	260		0626804SI	0636804SI
N F-LINE 335/49 O	3xT16 35/49 W	1553	1490	1140	260		0626808	0636808
N F-LINE 335/49 O-SI	3xT16 35/49 W	1553	1490	1140	260		0626808SI	0636808SI
N F-LINE 2X128/54 SG	2xT16 28/54 W	1253	1190	840	260		0626810	0636810
N F-LINE 2X128/54 SG-SI	2xT16 28/54 W	1253	1190	840	260		0626810SI	0636810SI
N F-LINE 2X135/49 SG	2xT16 35/49 W	1553	1490	1140	260		0626813	0636813
N F-LINE 2X135/49 SG-SI	2xT16 35/49 W	1553	1490	1140	260		0626813SI	0636813SI
N F-LINE 328/54 SG	3xT16 28/54 W	1253	1190	840	260		0626802	0636802
N F-LINE 328/54 SG-SI	3xT16 28/54 W	1253	1190	840	260		0626802SI	0636802SI
N F-LINE 335/49 SG	3xT16 35/49 W	1553	1490	1140	260		0626806	0636806
N F-LINE 335/49 SG-SI	3xT16 35/49 W	1553	1490	1140	260		0626806SI	0636806SI
N F-LINE 2X128/54 SM	2xT16 28/54 W	1253	1190	840	260		0626811	0636811
N F-LINE 2X128/54 SM-SI	2xT16 28/54 W	1253	1190	840	260		0626811SI	0636811SI
N F-LINE 2X135/49 SM	2xT16 35/49 W	1553	1490	1140	260		0626814	0636814
N F-LINE 2X135/49 SM-SI	2xT16 35/49 W	1553	1490	1140	260		0626814SI	0636814SI
N F-LINE 328/54 SM	3xT16 28/54 W	1253	1190	840	260		0626803	0636803
N F-LINE 328/54 SM-SI	3xT16 28/54 W	1253	1190	840	260		0626803SI	0636803SI
N F-LINE 335/49 SM	3xT16 35/49 W	1553	1490	1140	260		0626807	0636807
N F-LINE 335/49 SM-SI	3xT16 35/49 W	1553	1490	1140	260		0626807SI	0636807SI

Accessories

Model	Description	Prod. code
<b>N</b> F-LINE-A 2X128 SI	F-LINE 2X135 cover for ceiling mounting, silver, 0% ind comp	0208070SI
<b>N</b> F-LINE-A 2X128	F-LINE 2X128 cover for ceiling mounting, white, 0% ind comp	0208070
<b>N</b> F-LINE-A 2X135 SI	F-LINE 2X128 cover for ceiling mounting, silver, 0% ind comp	0208071SI
<b>N</b> F-LINE-A 2X135	F-LINE 2X135 cover for ceiling mounting, white, 0% ind comp	0208071
<b>N</b> F-LINE-A20 2X128 SI	F-LINE 2X128 cover for ceiling mount, silver, 20% ind comp	0208072SI
<b>N</b> F-LINE-A20 2X128	F-LINE 2X128 cover for ceiling mounting, white, 20% ind comp	0208072
<b>N</b> F-LINE-A20 2X135 SI	F-LINE 2X135 cover for ceiling mount'g, silver, 20% ind comp	0208073SI
<b>N</b> F-LINE-A20 2X135	F-LINE 2X135 cover for ceiling mounting, white, 20% ind comp	0208073
<b>N</b> F-LINE-AS 2X128 SI	F-LINE 2X128 cover with clear diffuser, silver	0208075SI
<b>N</b> F-LINE-AS 2X128	F-LINE 2X128 cover with clear diffuser	0208075
<b>N</b> F-LINE-AS 2X135 SI	F-LINE 2X135 cover with clear diffuser, silver	0208076SI
<b>N</b> F-LINE-AS 2X135	F-LINE 2X135 cover with clear diffuser	0208076
F-LINE-VS	Luminaire coupler for F-LINE luminaire, white, 1 pc	0207971
<b>N</b> F-LINE-VS-D	Straight luminaire coupler for ceiling surface mounting	0208095
<b>N</b> F-LINE-VS-D-SI	Straight coupler for ceiling mounting, silver	0208095SI
F-LINE-VS-SI	Luminaire coupler for F-LINE luminaire, silver, 1 pc	0207971SI
ZAL 3x0,75/1,5M-T	Clear mains cable, 3x0.75mm <sup>2</sup> , 1.5 metre	0203579
ZAL 3X1,5/1,5M-T	Clear mains cable, 3x1.5mm <sup>2</sup> , 1.5 metre	0207977
ZAL 5x0,75/1,5M-T	Clear mains cable, 5x0.75mm <sup>2</sup> , 1.5 metre	0203580
ZAL 5X1,5/1,5M-T	Clear mains cable, 5x1.5mm <sup>2</sup> , 1.5 metre	0207978
ZKF 3X0,75 - 1.0M	Cable guide C-profile, for dia. 4-5mm, 1 metre, transparent	0207979
ZSPT2Z 295	'Y' wire suspension kit, 1.5m drop, 1 pc	0203583
ZSPT2ZE 295 SI	'Y' wire suspension kit, rect. cover, silver, 1.5m, 1 pc	0202897SI
ZSPT2ZE 295	'Y' wire suspension kit, rect. cover, white, 1.5m, 1 pc	0202897
ZSPT2ZH 295 SI	'Y' wire suspension kit, domed cover, silver, 1.5m, 1 pc	0202896SI
ZSPT2ZH 295	'Y' wire suspension kit, domed cover, white, 1.5m, 1 pc	0202896



# F-LINE for T16 lamps

## F-LINE 314/24, F-LINE 414/24

**Design:** Single luminaire designed for pendant mounting with low-profile luminaire housing. Housing with seamless underside, in edged sheet steel, white or silver colour powder coated.

F-LINE 314/24 with 3 separate light chambers separated by longitudinal webs in the luminaire housing.  
2 perforated strips in the luminaire housing between the direct light components, lined with a light filter and backlit.  
F-LINE 414/24 with 2 separate light chambers separated by a longitudinal web in the luminaire housing.  
2 perforated strips in the luminaire housing between the direct light components, lined with a light filter and backlit.  
With electronic multiwatt ballast (MW-EVG) 220-240 V, 0/50-60 Hz.

**Mounting:** The luminaires are suitable for pendant wire mounting or using accessories for direct ceiling mounting.

### F-LINE ... O

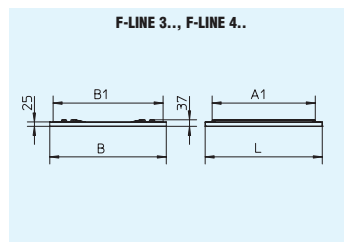
Opal profile cover made of UV-resistant acrylic (PMMA) with satinised surface.

### F-LINE ... SG

Parabolic mirror louvre SG constructed of high-reflectance, specular, super-purity anodised aluminium

### F-LINE ... SM

Parabolic mirror louvre SM constructed of silk matt, super-purity anodised aluminium



Voltage: 230V/50Hz  
Protection class: IP 20  
acc. to VDE 0711/0875



### F-LINE ... O



### F-LINE ... SG



### F-LINE ... SM



Model	Lamps	Dimens. [mm]				magnetic ballast Prod. code	electronic ballast Prod. code	dim. ballast (DALI) Prod. code
		L	B1	A1	B			
F-LINE 314 O	3xT16 14 W	653	610	570	650		0626743	0636743
F-LINE 314 O-SI	3xT16 14 W	653	610	570	650		0626743SI	0636743SI
F-LINE 324 O	3xT16 24 W	653	610	570	650		0626748	0636748
F-LINE 324 O-SI	3xT16 24 W	653	610	570	650		0626748SI	0636748SI
F-LINE 314 SG	3xT16 14 W	653	610	570	650		0626741	0636741
F-LINE 314 SG-SI	3xT16 14 W	653	610	570	650		0626741SI	0636741SI
F-LINE 324 SG	3xT16 24 W	653	610	570	650		0626746	0636746
F-LINE 324 SG-SI	3xT16 24 W	653	610	570	650		0626746SI	0636746SI
F-LINE 414 SG	4xT16 14 W	653	610	570	650		0626744	0636744
F-LINE 414 SG-SI	4xT16 14 W	653	610	570	650		0626744SI	0636744SI
F-LINE 424 SG	4xT16 24 W	653	610	570	650		0626749	0636749
F-LINE 424 SG-SI	4xT16 24 W	653	610	570	650		0626749SI	0636749SI
F-LINE 314 SM	3xT16 14 W	653	610	570	650		0626742	0636742
F-LINE 314 SM-SI	3xT16 14 W	653	610	570	650		0626742SI	0636742SI
F-LINE 324 SM	3xT16 24 W	653	610	570	650		0626747	0636747
F-LINE 324 SM-SI	3xT16 24 W	653	610	570	650		0626747SI	0636747SI
F-LINE 414 SM	4xT16 14 W	653	610	570	650		0626745	0636745
F-LINE 414 SM-SI	4xT16 14 W	653	610	570	650		0626745SI	0636745SI
F-LINE 424 SM	4xT16 24 W	653	610	570	650		0626750	0636750
F-LINE 424 SM-SI	4xT16 24 W	653	610	570	650		0626750SI	0636750SI

## Accessories

Model	Description	Prod. code
F-LINE-A 314/414 SI	F-LINE 3/414 cover for ceiling mounting, silver, 0% ind comp	0207960SI
F-LINE-A 314/414	F-LINE 3/414 cover for ceiling mounting, white, 0% ind comp	0207960
F-LINE-A20 314/414 SI	F-LINE 3/414 cover for ceiling mount'g, silver, 20% ind comp	0207965SI
F-LINE-A20 314/414	F-LINE 3/414 cover for ceiling mounting, white, 20% ind comp	0207965
F-LINE-AS 314/414 SI	F-LINE 3/414 cover with clear diffuser, silver	0207970SI
F-LINE-AS 314/414	F-LINE 3/414 cover with clear diffuser, white	0207970
ZAL 3x0.75/1.5M-T	Clear mains cable, 3x0.75mm <sup>2</sup> , 1.5 metre	0203579
ZAL 3X1.5/1.5M-T	Clear mains cable, 3x1.5mm <sup>2</sup> , 1.5 metre	0207977
ZAL 5x0.75/1.5M-T	Clear mains cable, 5x0.75mm <sup>2</sup> , 1.5 metre	0203580
ZAL 5X1.5/1.5M-T	Clear mains cable, 5x1.5mm <sup>2</sup> , 1.5 metre	0207978
ZKF 3X0.75 - 1.0M	Cable guide C-profile, for dia. 4-5mm, 1 metre, transparent	0207979
ZSP	Wire susp. kit with ceiling fixture, wire clamp 1.5m, 1 pc	0205017
ZSPS	Wire suspension kit, screw clamp 1.5m, 1 pc	0205018



**Note:** One wire or tube pendant must be ordered per suspension point.