

Recessed downlighter EBD 150 SG, EBDT 150 SM for compact fluorescent lamps

Design: The luminaire consists of the reflector housing and the gear tray.

Reflector housing: Rigid mounting ring in die-cast metal with tool-less clamping mechanism, and fixing for the lampholder.

Gear tray: Gear tray plate made of galvanised steel, accommodates all electrical components, mains terminal block, cable strain relief and connecting cable and lampholder assembly. Heat-resistant plastic cover.

Mounting: In addition to the prefitted standard luminaire fixing, special accessory fixing kits such as panel mounting kits, reinforcement plates for metal tile ceilings, cast concrete housings, plaster ring, inclined mounting kits or semi recessed mounting kits can be ordered.

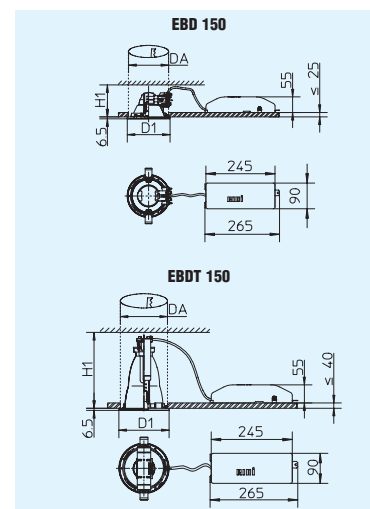
Reflectors: The downlighters can be equipped with different reflectors without affecting the luminaire price.

Reflector Type	Article No. for Reflector Type	
	EBD 150	EBDT 150
SG	X//609
SM//607	X

X available
— not available

Reflector SG: Parabolic reflector in specular anodised super-purity aluminium.

Reflector SM: Parabolic reflector in satin finish anodised super-purity aluminium.

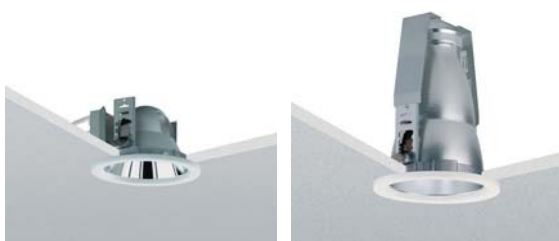


Voltage: 230V/50Hz
Protection class: IP 20
Approvals:



EBD 150/... SG

EBDT 150/... SM



Model	Lamps	Socket	Dimens. [mm]				magnetic ballast Prod. code	electronic ballast Prod. code	dimm. ballast (DALI) Prod. code
			H1	D1	DA min	DA max			
EBD 150/13 SG	1xTC-D 10/13 W	G24d-1	105	150	135	140	1310107		
EBD 150/13 SG-EVG	1xTC-DEL 10/13 W	G24q-1	105	150	135	140		1320107	
EBDT 150/13 SM	1xTC-D 10/13 W	G24d-1	225	150	135	140	1310609		
EBDT 150/13 SM-EVG	1xTC-DEL 10/13 W	G24q-1	225	150	135	140		1320609	
EBDT 150/18 SM	1xTC-D 18 W	G24d-2	225	150	135	140	1310622		
EBDT 150/18 SM-EVG	1xTC-DEL 18 W	G24q-2	225	150	135	140		1320622	1330622



Accessories

Model	Description	A	B	Prod. code			
BET EBD 150	Concrete casting box for EBD 150	X	-	0202825			
BET EBDT 150	Concrete casting box for EBDT 150	-	X	0202834			
DG 150 W	Decorative glass, int.matt finish, white decorative ring	X	X	0202682			
DGB 150 W	Decorative glass, printed, with white decorative ring	X	X	0202718			
DGD 150 W ¹⁾	Glass disc, matt finish, with white decorative ring	X	X	0202733			
DGFB 150 W	Decorative glass, blue, internally open with white ring	X	X	0202709			
DGKD 150 W ¹⁾	Transparent float glass disc with white decorative ring	X	X	0202862			
DGOD 150 W ¹⁾	Glass disc, opal finish, with white decorative ring	X	X	0202738			
DGS 150 W	Decorative glass, matt finish, int.open with white ring	X	X	0202691			
DR 150 AL	Decorative ring, brushed aluminium finish	X	X	0202674//634			
DR 150 ES	Decorative ring, brushed stainless steel finish	X	X	0202674//636			
DR 150 RAL	Decorative ring, as per choice from RAL colour chart	X	X	0202674RAL			
DR 150 SG	Decorative ring, specular finish aluminium silver	X	X	0202674//609			
DR 150 SM	Decorative ring, matt finish aluminium silver	X	X	0202674//607			
DR 150 W	Decorative ring, white plastic	X	X	0202674			
DSG 150 W	Decorative glass ring,matt finish, white decorative ring	X	X	0202700			
DVRP 150 W ¹⁾	Prismatic disc with white decorative ring	X	X	0202743			
EPR EBD. 150	Plaster ring for projecting or flush ceiling mounting	X	X	0202837			
HES EBD 150/25	Semi recessed mounting kit, H = 25mm	-	X	0202806			
HES EBD 150/50	Semi recessed mounting kit, H = 50mm	-	X	0202807			
KES EBD. 150	Cardanic installation kit for EBD 150	X	X	0202932			
SES EBD 150/10	Inclined ceiling mounting kit, 10 degree slope	X	X	0202817			
SES EBD 150/15	Inclined ceiling mounting kit, 15 degree slope	-	X	0202818			
UGEBD-UR	Change-over relay for EBD..., (not for HIT lamps)	X	X	0201069			
VP EBD. 150-600	Strengthening plate for module 600 (600x600) ceilings	X	X	0202792			
VP EBD. 150-625	Strengthening plate for module 625 (625x625) ceilings	X	X	0202919			
ZES EBD 150-235/80	Fixing kit for ceiling depths up to 80 mm	-	X	0202928			
ZVS-PK ABD/EBD	Parallel power factor correction cabling kit for ABD/EBD	X	X	0207700			

¹⁾ IP 44 protection rating with this accessory when mounting in sealed ceilings.

A = EBD; **B** = EBDT

