

Floor-standing luminaire AIDA-S ..., AIDA-S ... -TI titanium coloured, direct-indirect distribution

Design: Reflector head in steel. Welded-in inset end caps, partial perforation, white or titanium colour powder coated. Perforations backed by a white opal light filter. Prefitted reflectors in high-reflectance super-purity aluminium. Rectangular curved metal base in black paintwork finish. Column made of extruded aluminium with flange-mounted double tubular stem, white or titanium powder coated.

With electronic ballast (EVG), 220-240 V, 0/ 50-60 Hz, prefitted switch and 2.5 m connecting cable with earthed plug.

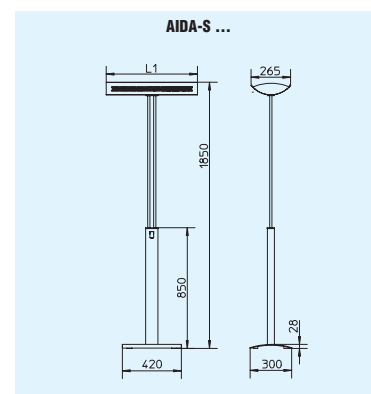
Voltage: 230V/50Hz

Protection class: IP 20

Approvals:



AIDA-S ...
AIDA-S ...-TI



Model	Lamps	Socket	Dimens. [mm] B1	magnetic ballast Prod. code	electronic ballast Prod. code	dim. ballast (DALI) Prod. code
AIDA-S 255-EVG	2xTC-L 55 W	2 G 11	650		0620813	
AIDA-S 255-TI-EVG	2xTC-L 55 W	2 G 11	650		0620813TI	
AIDA-S 355-EVG	3xTC-L 55 W	2 G 11	650		0620815	
AIDA-S 355-TI-EVG	3xTC-L 55 W	2 G 11	650		0620815TI	
AIDA-S 455-EVG	4xTC-L 55 W	2 G 11	650		0620816	
AIDA-S 455-TI-EVG	4xTC-L 55 W	2 G 11	650		0620816TI	

Floor-standing luminaire AIDA-S 455 EVG-DIM/EVG-DIM-SEN, direct-indirect distribution

Design: Reflector head in steel, partial perforation. Welded-in inset end caps, white or titanium colour powder coated. Perforations backed by a white opal light filter. Prefitted reflectors in high-reflectance super-purity aluminium. Rectangular curved metal base in dark grey paintwork finish. Column made of extruded aluminium with flange-mounted double tubular stem, powder coated in the same colour as the luminaire.

Electrical equipment

AIDA-S 455 EVG-DIM:

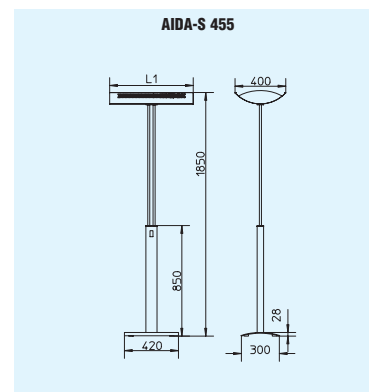
- dimmable electronic ballasts (EVG-DIM), 220-240 V, 0/50-60 Hz
- prefitted switch in the column
- 2.5 m long connecting cable with earthed plug
- with switch-controlled dimming

AIDA-S 455 EVG-DIM-SEN:

- dimmable electronic ballasts (EVG-DIM), 220-240 V, 0/50-60 Hz
- pre-fitted switch in the column
- 2.5 m long connecting cable with earthed plug
- pre-fitted light level and presence detector

Special model:

- non-standard colour on request in accordance with RAL colour chart



Voltage: 230V/50Hz

Protection class: IP 20

Approvals:    



AIDA-S 455-EVG-DIM

AIDA-S 455-EVG-DIM-SEN



Model	Lamps	Socket	Dimens. [mm] B1	magnetic ballast Prod. code	electronic ballast Prod. code	dimm. ballast (DALI) Prod. code
AIDA-S 455-EVG-DIM	4xTC-L 55 W	2 G 11	650		0620821	
AIDA-S 455-EVG-DIM-SEN	4xTC-L 55 W	2 G 11	650		0620817	
AIDA-S 455-TI-EVG-DIM	4xTC-L 55 W	2 G 11	650		0620821TI	
AIDA-S 455-TI-EVG-DIM-SEN	4xTC-L 55 W	2 G 11	650		0620817TI	



Floor-standing luminaire AIDA-S 255 VSM/VSG, AIDA-S 255-VSM/VSG-TI in titanium colour, direct-indirect distribution

Design: Reflector head in steel. Welded-in inset end caps, partial perforation, white or titanium colour powder coated. Prefitted reflector in high-reflectance super-purity aluminium. Rectangular curved metal base in dark grey paintwork finish. Column made of extruded aluminium with flange-mounted double tubular stem, white or titanium powder coated. With matt/specular anodised parabolic mirror louvre for direct light distribution. The louvre can be tilted by 15°. With electronic ballast (EVG), 220-240 V, 0/ 50-60 Hz, pre-fitted switch and 2.5 m connecting cable with earthed plug.

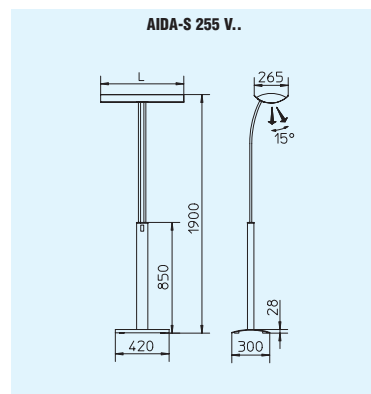
AIDA-S ... VSM/VSG
AIDA-S ... VSM/VSG-TI

Parabolic mirror louvre VSM, in high-reflectance, matt anodised super-purity aluminium with swivel action.
 Parabolic mirror louvre VSG, in high-reflectance, specular anodised super-purity aluminium with swivel action

Voltage: 230V/50Hz
 Protection class: IP 20
 Approvals:



AIDA-S ... VSM/VSG
AIDA-S ... VSM/VSG-TI



Model	Lamps	Socket	Dimens. [mm] L	magnetic ballast Prod. code	electronic ballast Prod. code	dim. ballast (DALI) Prod. code
AIDA-S 255 VSG-EVG	2xTC-L 55 W	2 G 11	650		0620916	
AIDA-S 255 VSG-TI-EVG	2xTC-L 55 W	2 G 11	650		0620916TI	
AIDA-S 255 VSM-EVG	2xTC-L 55 W	2 G 11	650		0620915	
AIDA-S 255 VSM-TI-EVG	2xTC-L 55 W	2 G 11	650		0620915TI	

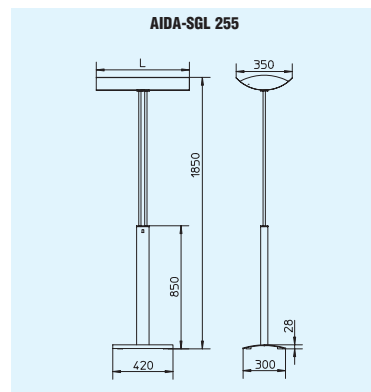
Floor-standing luminaire AIDA-SGL 255, AIDA-SGL 255-TI in titanium colour, with glass shade, direct-indirect distribution

Design: Reflector head in opal glass, with lampholder in steel, inset steel end caps, white or titanium powder coated. Rectangular metal base in dark grey paintwork finish. Column made of extruded aluminium with flange-mounted double tubular stem. Black on/off switch. With electronic ballast (EVG), 220-240 V, 0/ 50-60 Hz, pre-fitted switch and 2.5 m connecting cable with earthed plug.

Voltage: 230V/50Hz
 Protection class: IP 20
 Approvals:



AIDA-SGL 255
AIDA-SGL 255-TI



Model	Lamps	Socket	Dimens. [mm] L	magnetic ballast Prod. code	electronic ballast Prod. code	dim. ballast (DALI) Prod. code
AIDA-SGL 255-EVG	2xTC-L 55 W	2 G 11	650		0620862	
AIDA-SGL 255-TI-EVG	2xTC-L 55 W	2 G 11	650		0620862TI	